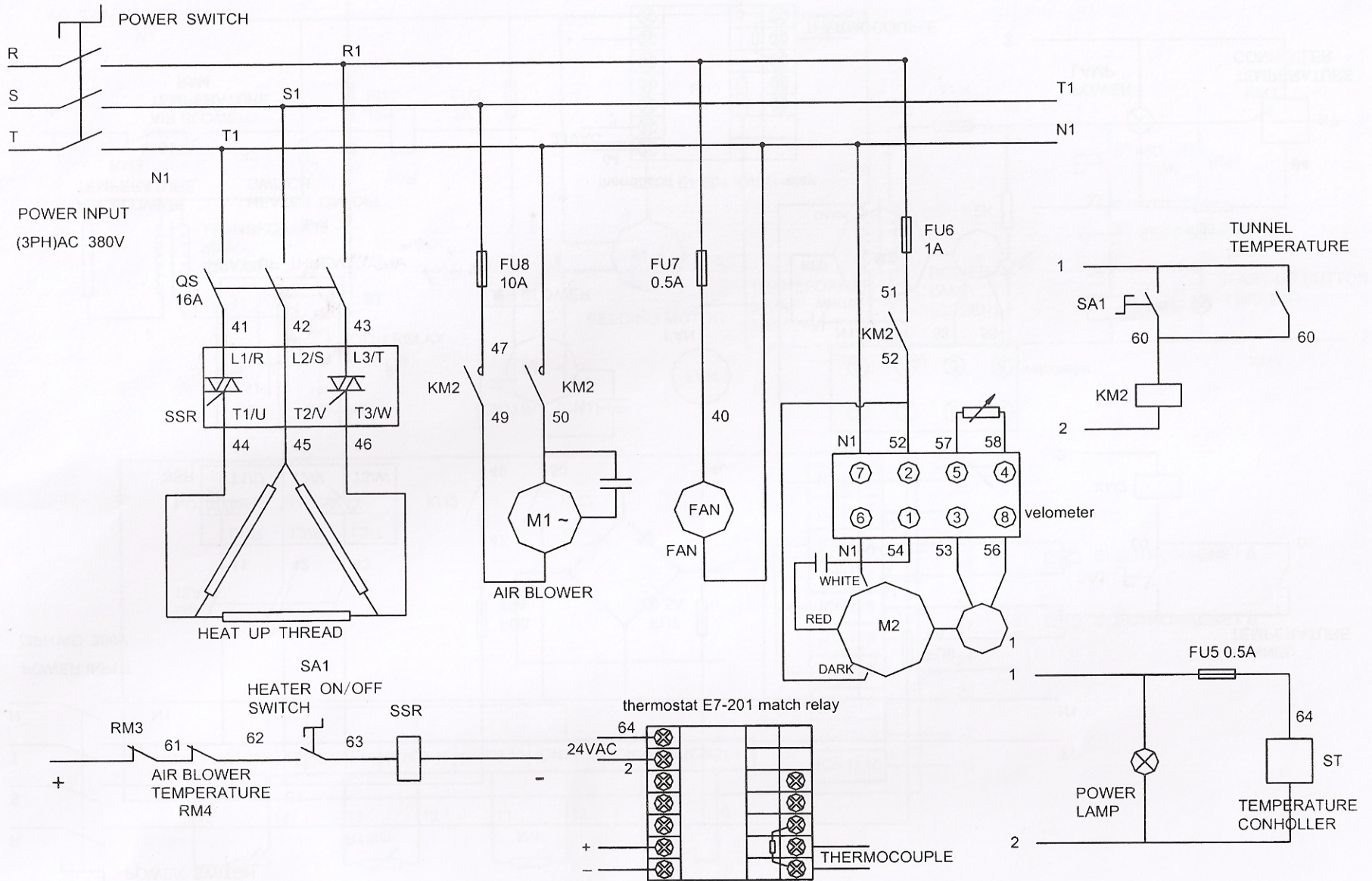


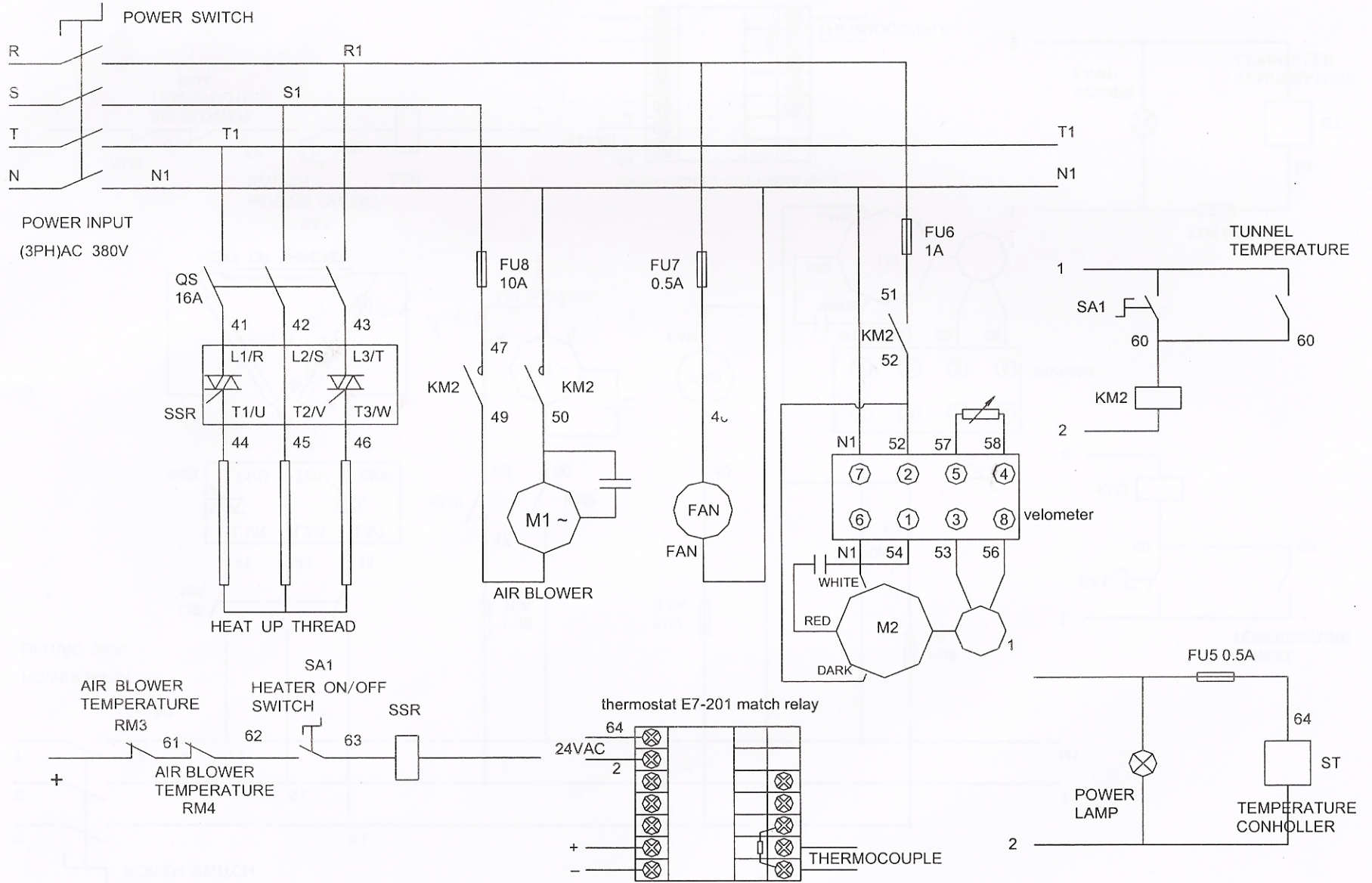
SLM4055COMBO AND SLP4055COMBO

3PH AC 220V



30

3PH AC 380V



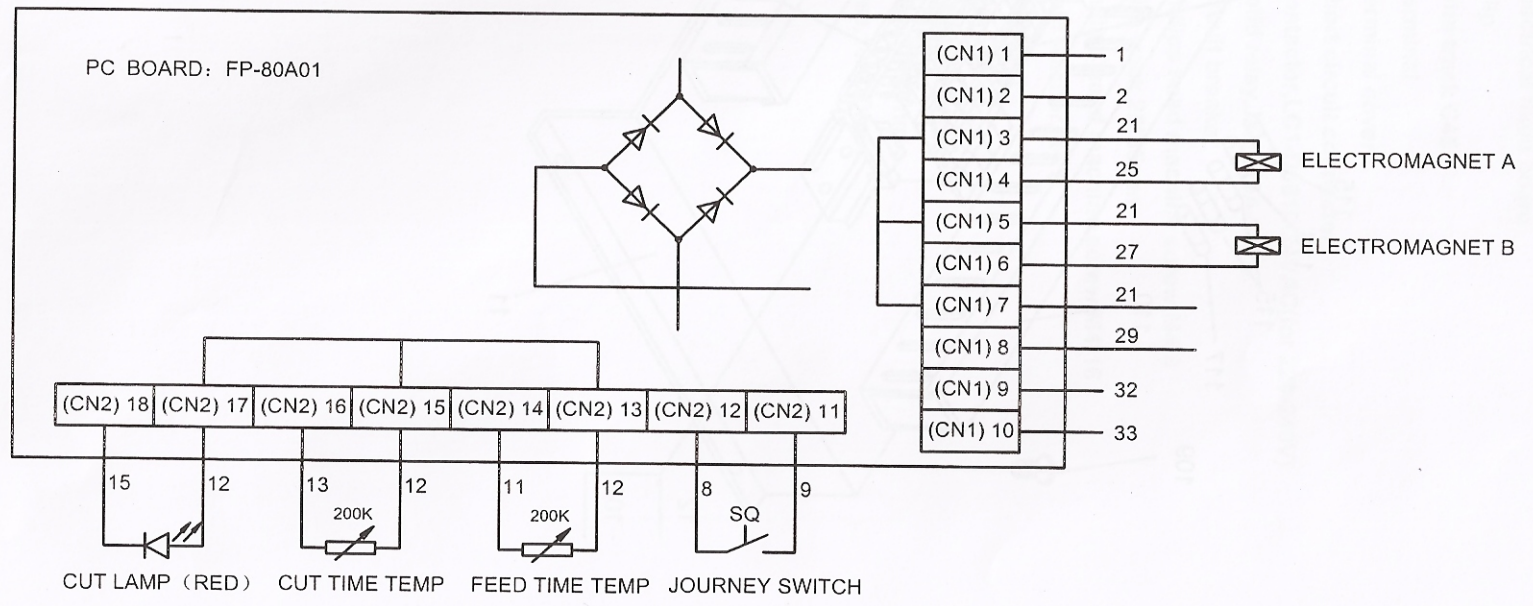
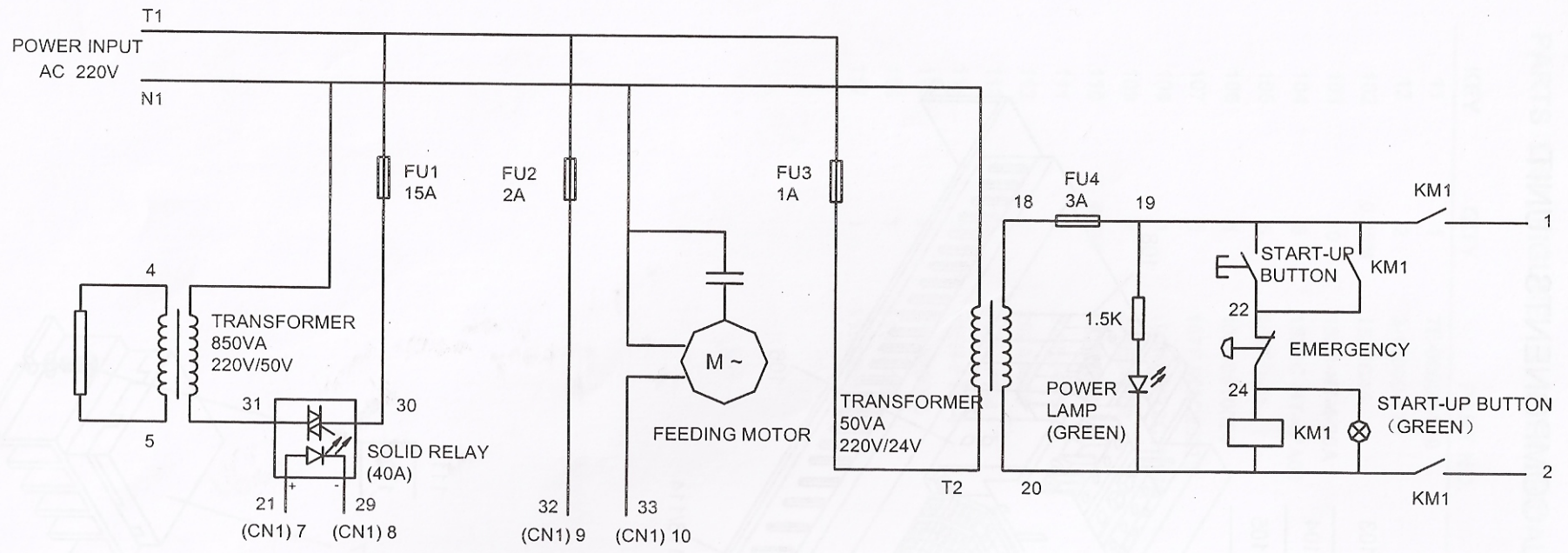
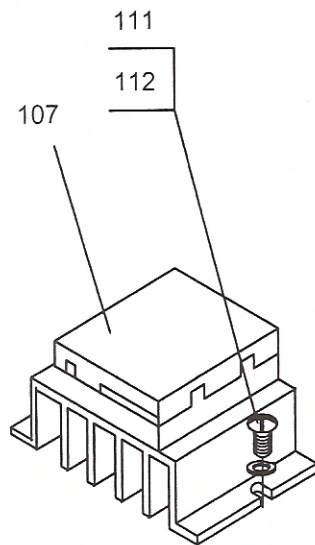
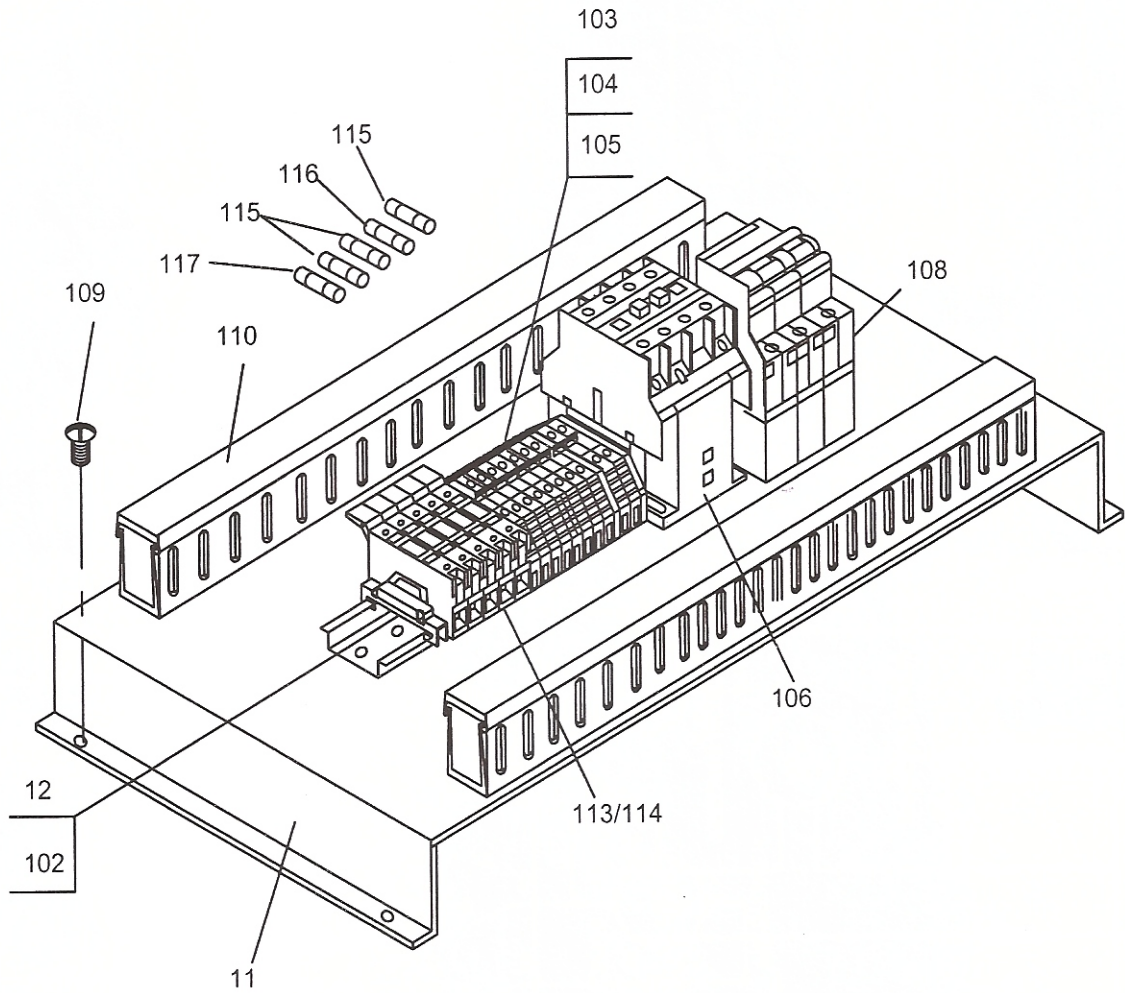


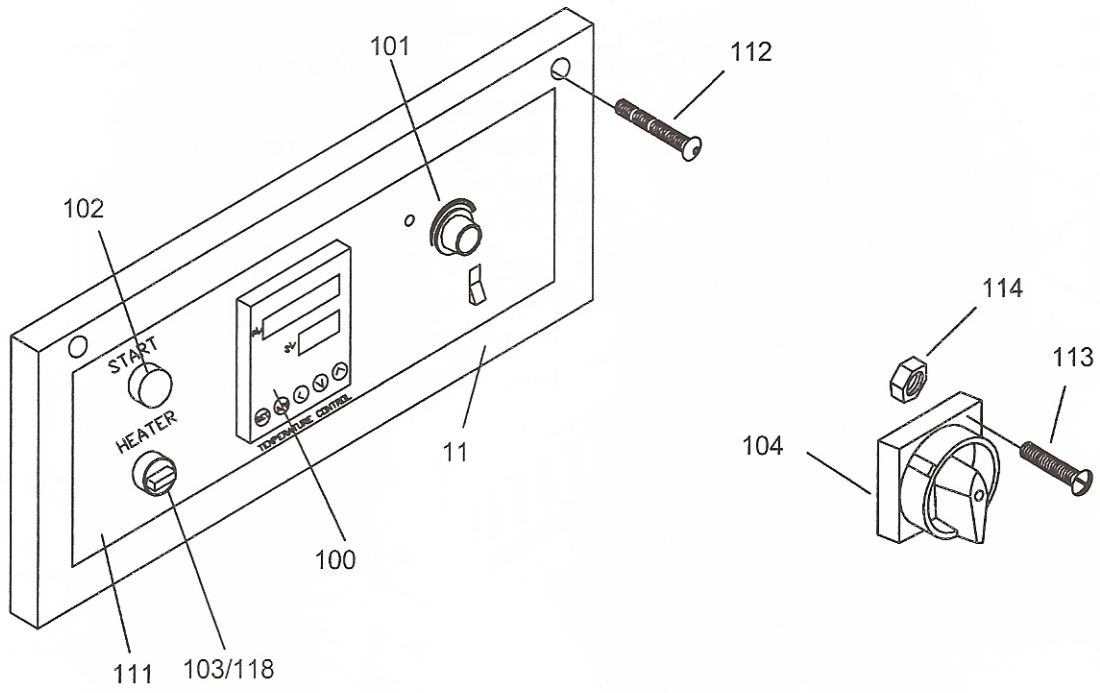
FIGURE 13: ELECTRICAL COMPONENTS UNIT



PARTS LIST, FIGURE 13 ELECTRICAL COMPONENTS UNIT (2)

KEY	Q'TY	PART NO.	DESCRIPTION	LST-4055-130
11	1	7E-06000-110	Electrical fixed board	
12	2	3-14000-170	Clip	
102	0.25M	153FC45	Wire track C45	
103	10	152P-HT-4-30A	Terminal	
104	5	152PC-HT-4PA01	Terminal cover	
105	5	152PD-01	Short circuit connector	
106	1	106A0610024	Contactora,LC1-D0610-24VAC(for 220-240V)	
107	1	107FJK3C25275	Solid relay,JK3C25A-2A75	
108	1	104K61172C32N16	Circuit breaker	
109	4	200E04008	Phillips head machine screw,M4*8	
110	0.5M	153F2535	Wire track 25*35mm	
111	2	200E04016	Phillips head machine screw,M4*16	
112	2	202A0408	Plain washer,M4*8	
113	4	115N-FT-4	Fude deat	
114	1	115N-FTC-4	Seat cover	
115	3	115A20005	Fuse,0.5A 20mm	
116	1	115A2001	Fuse,1A 20mm	
117	1	115A2010	Fuse,10A 20mm	

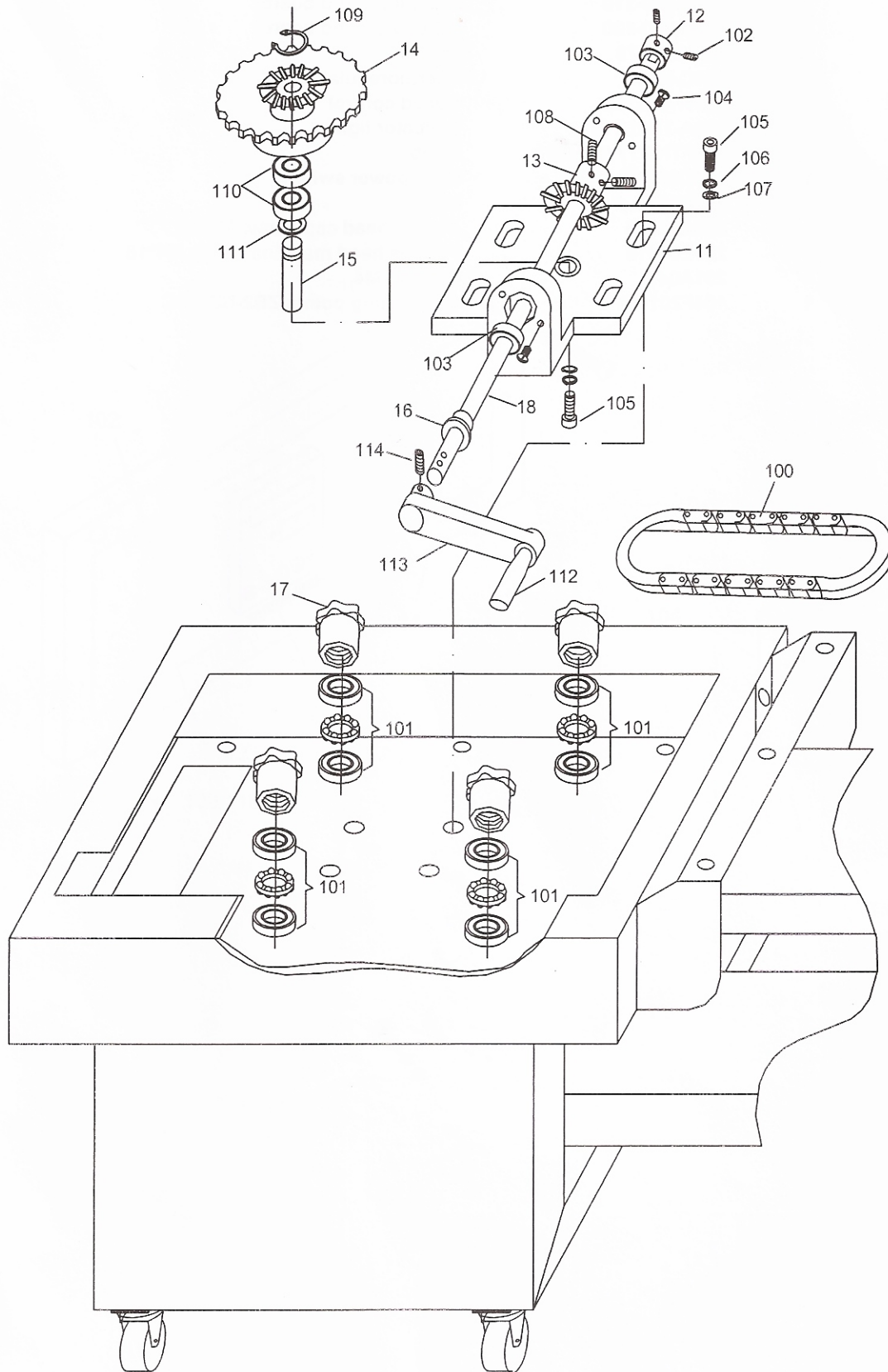
FIGURE 12: PANEL UNIT



PARTS LIST, FIGURE 12 PANEL UNIT

KEY	Q'TY	PART NO.	DESCRIPTION	LST-4055-120
11	1	7E-05000-110	Electrical fixed board	
12	1	7E-05000-120	PC board fixed board	
13	2	3-14000-170	Clip	
100	1	134C-H721	Thermoregulator,24VDC	
101	1	101W-SCU25	Speed control	
102	1	109A-TN2LTGI	Indicator light	
103	1	104FTN2IT7W11AB	Knob	
104	1	104C011-32	Main power switch	
111	1	254A0193	Lable	
112	2	200A05025	Socket head cap screw,M5*25	
113	4	200E04016	Phillips head machine screw,M4*16	
114	4	201A04	Hex nut,M4	
118	1	104F201-1A	Connecting points,ZB2-BZ101C	

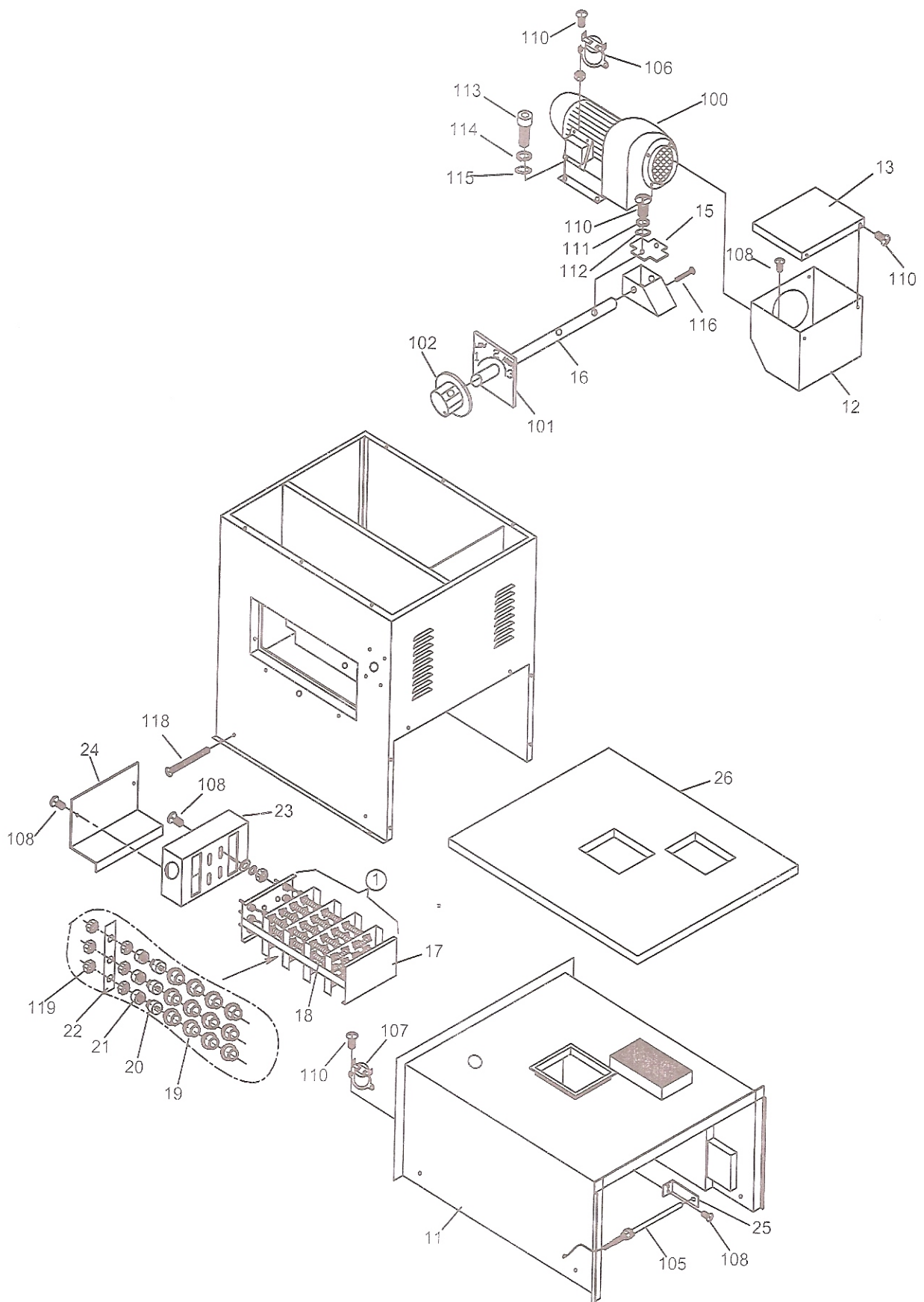
FIGURE 11: TUNNEL CHAMBER(UP&DOWN) UNIT



PARTS LIST, FIGURE 11 TUNNEL CHAMBER(UP&DOWN) UNIT

KEY	Q'TY	PART NO.	DESCRIPTION	LST-4055-110
11	1	7E-11000-110	Aluminum set	
12	1	7E-11000-120	Sleeve	
13	1	7E-11000-130	Bevel gear(driving)	
14	1	7E-11000-140	Bevel gear(driven)	
15	1	7E-11000-150	Bevel gear shaft	
16	1	7E-11000-160	Copper sleeve	
17	4	7E-11000-170	Chain wheel	
18	1	7E-11000-180	Transmission shaft	
100	1	215A0308-246	Chain,3/8"	
101	4	210L51104	Bearing,51104	
102	2	200G06006	Socket head set screw,M6*6	
103	2	210A6001ZZ	Ball bearing,6001ZZ	
104	4	200H06012	Truss head machine screw,M6*12	
105	5	200A08025	Socket head cap screw M8*25	
106	5	202B08	Lock washer, M8	
107	5	202A0816	Plain washer, M8*16	
108	2	200G08010	Socket head set screw,M8*10	
109	1	212AS15	Ring,S-15	
110	2	210A6202ZZ	Ball bearing,6202ZZ	
111	3	202E152102	Shim,M15*21*0.2	
112	1	297L08063	Handle arm	
113	1	297N12	Handle	
114	1	200G06010	Socket head set screw,M6*10	

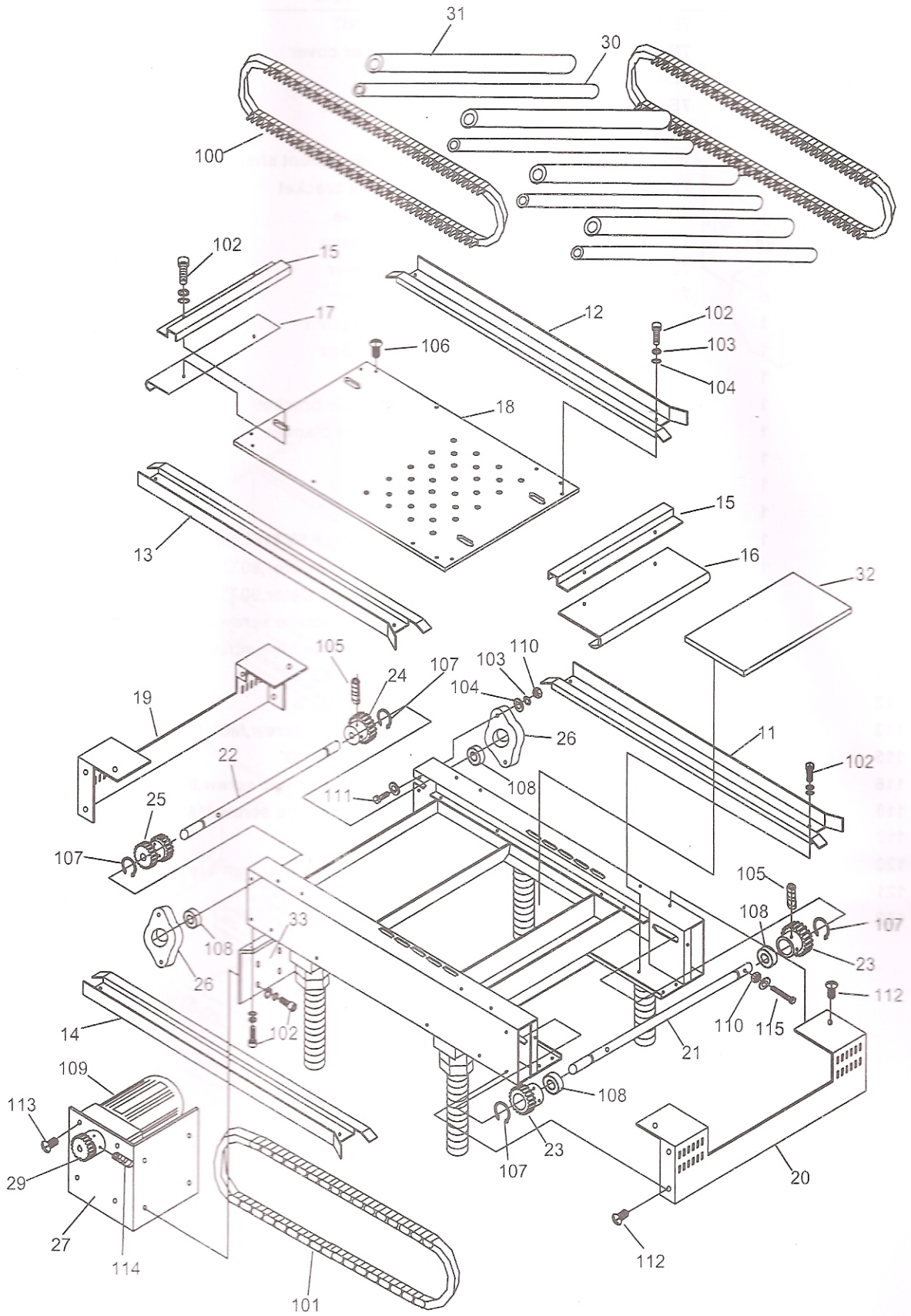
FIGURE 10: HOTTING AND BLOWING UNIT



PARTS LIST, FIGURE 10 HOTTING AND BLOWING UNIT

KEY	Q'TY	PART NO.	DESCRIPTION	LST-4055--100
1	1	7E-04010	HEATER UNIT	
11	1	7E-04000-110	Tunnel inner cover	
12	1	7E-04000-120	Chamber(1)	
13	1	7E-04000-130	Chamber cover	
15	1	7E-04000-150	Damper	
16	1	7E-04000-160	Damper adjustment shaft	
17	1	7E-04010-170	Heating box bracket	
18	3	7E-04010-180	Heating blade	
19	48	7E-04010-190	Ceramic sleeve	
20	6	7E-04010-200	Ceramic cover	
21	6	7E-04010-210	Ceramic cover	
22	1	7E-04010-220	Connecting plate	
23	1	7E-04000-230	Cinnection Box	
24	1	7E-04000-240	Cover	
25	1	7E-04000-250	Thermocouple bracket	
26	1	YL-02B002	Ceramic fibre blanket	
100	1	116JCY150B2P225	Air blower	
101	1	254A0192	Lable	
102	1	153K-99A	Knob	
105	1	104Y-K5M81802M	Thermocouple,K5M81802M	
106	1	110GNC.090	Heat-variable resistor,90°C	
107	1	110GNO.090	Heat-variable resistor,90°C	
108	8	200H04008	Truss head machine screw,M4*8	
110	8	200E03008	Phillips head machine screw,M3*8	
111	2	202B03	Lock washer,M3	
112	2	202A0308	Plain washer,M3*8	
113	4	200A06016	Socket head cap screw,M6*16	
115	4	202A0612	Plain washer,M6*12	
116	1	200E03020	Phillips head machine screw,M3*20	
118	4	200H04035	Truss head machine screw,M4*35	
119	9	201A05	Hex nut,M5	
120	4	202A0409	Plain washer, M4*9	
121	4	202B04	Lock washer, M4	
122	4	201A0408	Hex nut,M4	

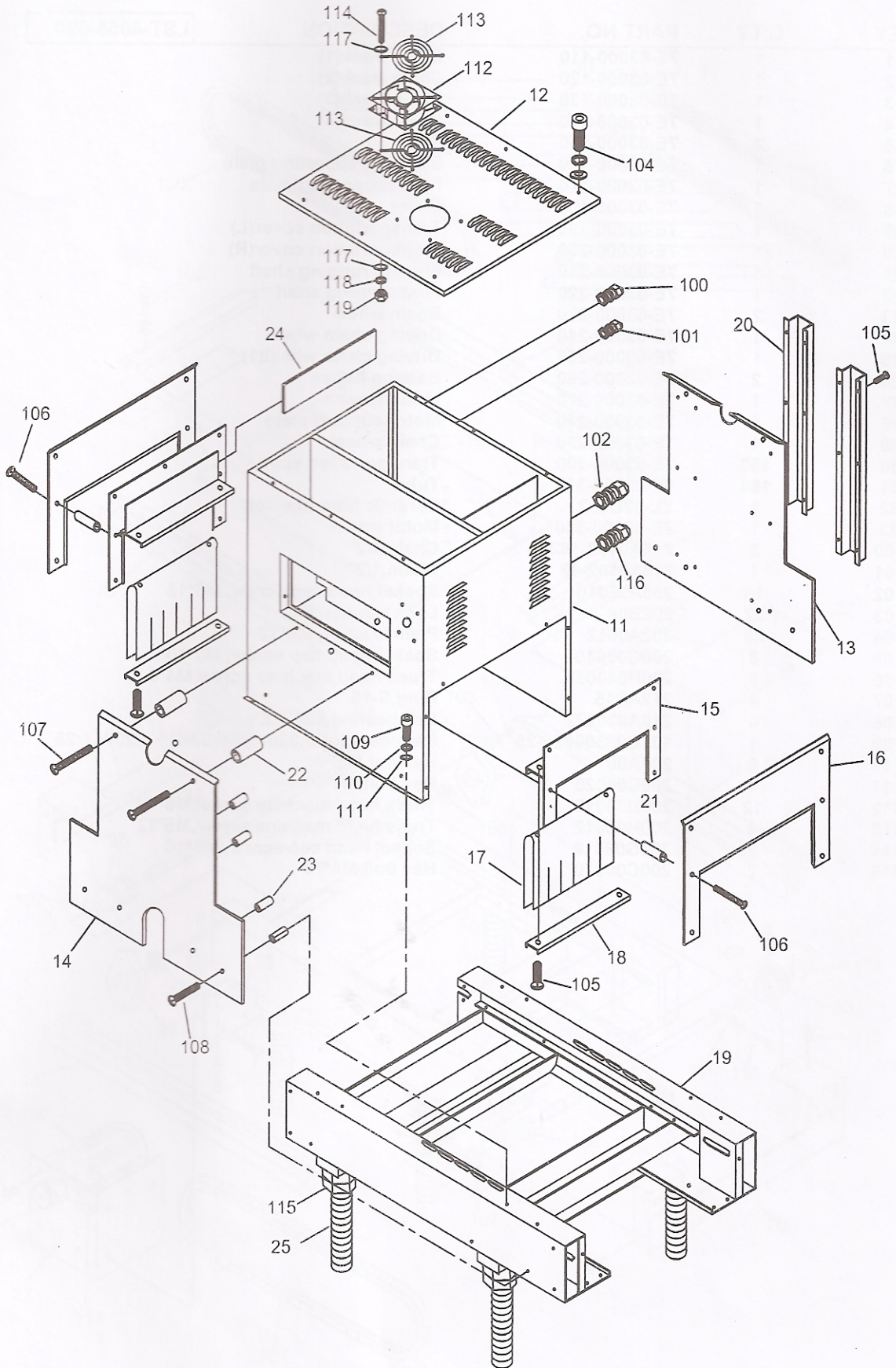
FIGURE 9: TRANSPORTATION UNIT



PARTS LIST, FIGURE 9 TRANSPORTATION UNIT

KEY	Q'TY	PART NO.	DESCRIPTION	LST-4055-090
11	1	7E-03000-110	Chain track(1)	
12	1	7E-03000-120	Chain track(2)	
13	1	7E-03000-130	Chain track(3)	
14	1	7E-03000-140	Chain track(4)	
15	2	7E-03000-150	Plate	
16	1	7E-03000-160	Second supporting plate	
17	1	7E-03000-170	First supporting plate	
18	1	7E-03000-180	Cover	
19	1	7E-09000-190	Transportation cover(L)	
20	1	7E-03000-200	Transportation cover(R)	
21	1	7E-03000-210	Second running shaft	
22	1	7E-03000-220	First running shaft	
23	2	7E-03000-230	Chain wheel	
24	1	7E-03000-240	Driving chain wheel	
25	1	7E-03000-250	Driving chain wheel(1)	
26	2	7E-03000-260	Bearing house	
27	1	7E-03000-270	Motor tray	
28	1	7E-03000-280	Motor support plate	
29	1	7E-03000-290	Chain wheel	
30	163	7E-03000-300	Transportation shaft	
31	163	7E-03000-310	Tube	
32	1	YL-02B002	Ceramic fibre blanket	
33	1	7E-03000-330	Motor tray	
100	2	215A0102-162	Chain,1/2"	
101	1	215A0102-48	Chain,1/2"	
102	18	200A06016	Socket head cap screw, M6*16	
103	22	202B06	Lock washer, M6	
104	28	202A0612	Plain washer, M6*12	
105	8	200G08010	Socket head cap screw, M8*10	
106	8	200H04008	Truss head machine screw,M4*8	
107	4	212AS15	Ring,S-15	
108	4	210A6202ZZ	Ball bearing,6202ZZ	
109	1	101G23500025-25	Reducer motor,220-240V/50-60Hz,25W,1:25	
110	6	201A06	Hex nut,M6	
111	4	200C06020	Hex bolt,M6*20	
112	12	200H06010	Truss head machine screw,M6*10	
113	4	200H05012	Truss head machine screw,M5*12	
114	2	200G06010	Socket head cap screw, M6*10	
115	2	200C06070	Hex bolt,M6*70	

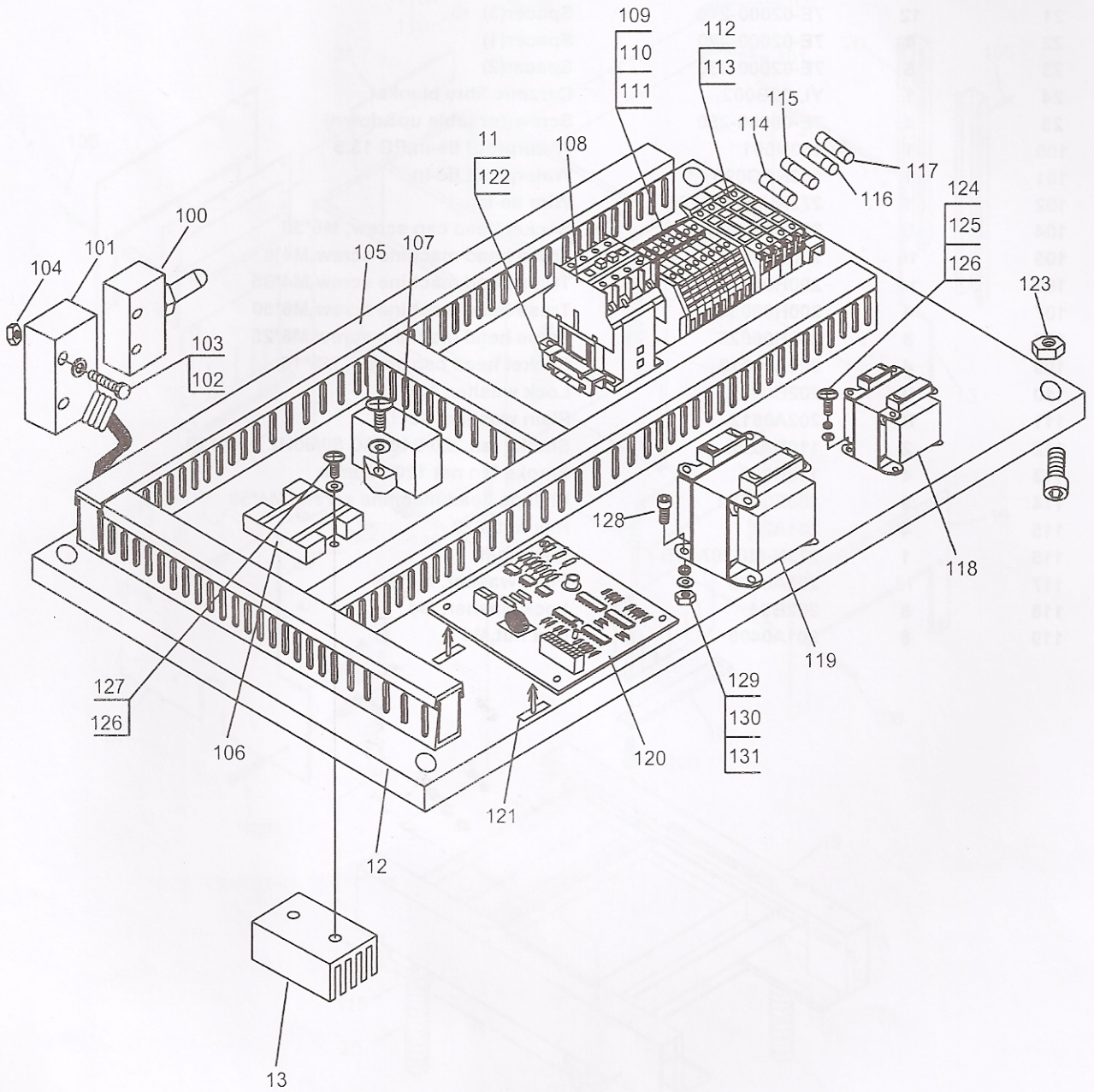
FIGURE 8: CABINET(2) UNIT



PARTS LIST, FIGURE 8 CABINET(2) UNIT

KEY	Q'TY	PART NO.	DESCRIPTION	LST-4055-080
11	1	7E-08000-110	Tunnel cover	
12	1	7E-08000-120	Cover	
13	1	7E-02000-130	Heat insulation plate(rear)	
14	1	7E-08000-140	Heat insulation plate(front)	
15	2	7E-02000-150	Heat insulation wall	
16	2	7E-02000-160	Heat insulation plate(side)	
17	2	7E-02000-170	Heat insulation curtain	
18	2	7E-02000-180	Lock curtain plate	
19	1	7E-08000-190	Tunnel baser	
20	2	7E-02000-200	Wire through chute	
21	12	7E-02000-210	Spacer(3)	
22	4	7E-02000-220	Spacer(1)	
23	8	7E-02000-230	Spacer(2)	
24	1	YL-02B002	Ceramic fibre blanket	
25	4	7E-08000-250	Screw(for table up&down)	
100	1	153N001	Waterproof tie-in,PG 13.5	
101	1	153NPG090	Waterproof tie-in	
102	1	273N-MG25A18B	Wire tie-in	
104	6	200A06030	Socket head cap screw, M6*30	
105	16	200H04008	Truss head machine screw,M4*8	
106	14	200H04035	Truss head machine screw,M4*35	
107	4	200H06050	Truss head machine screw,M6*50	
108	8	200H06025	Truss head machine screw,M6*25	
109	4	200A06016	Socket head cap screw, M6*16	
110	10	202B06	Lock washer, M6	
111	10	202A0612	Plain washer, M6*12	
112	2	116BA220	Smoke fan,220-240VAC 50/60HZ 120*120	
113	4	116H002	Smoke fan net 120*120mm	
114	8	200E04050	Phillips head machine screw, M4*50	
115	4	201A20	Hex nut,M20	
116	1	273N-MG20A14B	Wire tie-in	
117	16	202A0409	Plain washer, M4*9	
118	8	202B04	Lock washer, M4	
119	8	201A0408	Hex nut,M4	

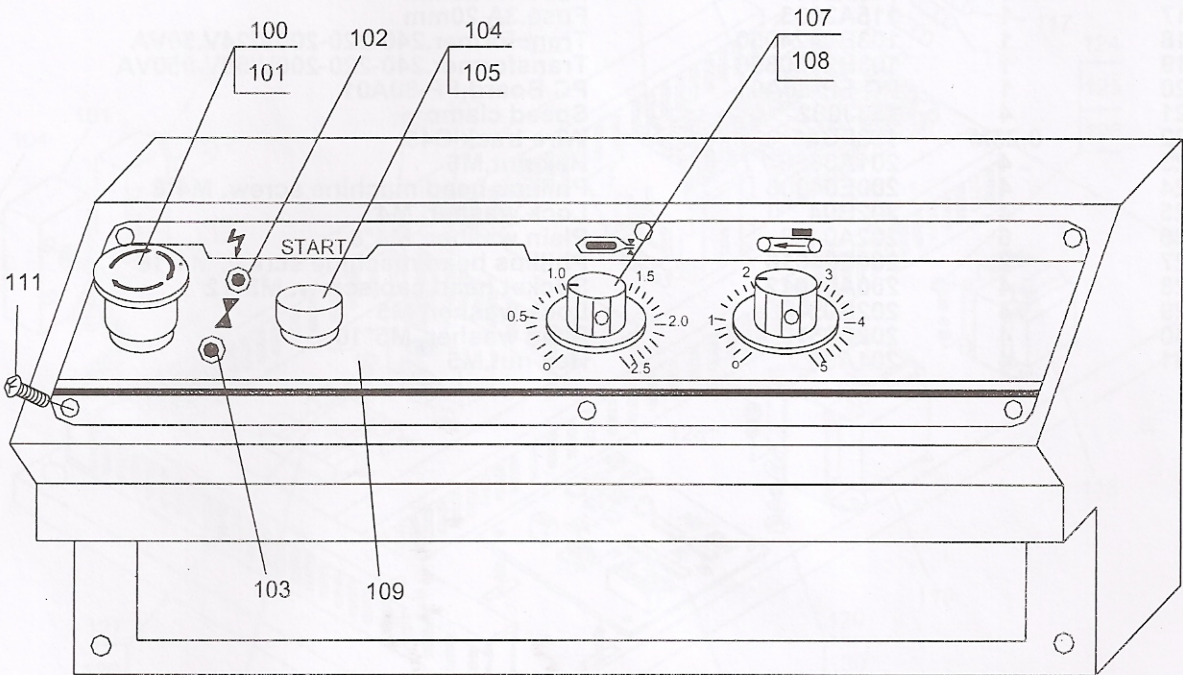
FIGURE 7: ELECTRICAL COMPONENTS UNIT



PARTS LIST, FIGURE 7 ELECTRICAL COMPONENTS UNIT

KEY	Q'TY	PART NO.	DESCRIPTION	LST-4055-070
11	2	3-14000-170	Clip	
12	1	7B-07000-120	Electrical fixed board	
13	1	7B-07000-130	Radiator	
100	1	104H1307	Proximity switch	
101	1	153C001	Cut safety switch cover AMC-1	
102	2	200E04025	Phillips head machine screw, M4*25	
103	2	202A0412	Plain washer, M4*12	
104	2	201A04	Hex nut, M4	
105	1.4M	153F2535	Wire track 25*35mm	
106	1	107F-SR-D2540	Solid relay	
107	1	101W02-5060500	Motor capacitance, 2uF, 500V/50/60Hz	
108	1	106A0910024	Contact, LC1-D0910-24VAC (for 110V)	
109	8	152P-HT-4-30A	Terminal	
110	4	152PC-HT-4PA01	Terminal cover	
111	4	152PD-01	Short circuit connector	
112	4	115N-FT-4	Fuse seat	
113	1	115N-FTC-4	Seat cover	
114	1	115A2015	Fuse, 15A 20mm	
115	1	115A2002	Fuse, 2A 20mm	
116	1	115A2001	Fuse, 1A 20mm	
117	1	115A2003	Fuse, 3A 20mm	
118	1	103B2424050	Transformer, 240-220-200V/24V, 50VA	
119	1	103B2450850	Transformer, 240-220-200V/50V, 850VA	
120	1	PC-FP-80A01	PC Board, FP-80A01	
121	4	153J002	Speed clamp	
122	0.25M	153FC45	Wire track C45	
123	4	201A06	Hex nut, M6	
124	4	200E04008	Phillips head machine screw, M4*8	
125	4	202B04	Lock washer, M4	
126	6	202A0408	Plain washer, M4*8	
127	2	200E04016	Phillips head machine screw, M4*16	
128	4	200A05012	Socket head cap screw, M5*12	
129	4	202B05	Lock washer, M5	
130	4	202A0510	Plain washer, M5*10	
131	4	201A05	Hex nut, M5	

FIGURE 6-2: PANEL UNIT



PARTS LIST, FIGURE 6-2 PANAL UNIT

LST-4055-062

KEY	Q'TY	PART NO.	DESCRIPTION
100	1	104K001	Stop button ZB2-BS54-R
101	1	104K001-1B	Connecting points,ZB2-BZ102-1B
102	1	109A003-G	Lamp(DC12V)
103	1	109A003	Lamp
104	1	104F-ZB2BW33C	Start button,ZB2BW33C
105	1	104F-ZB2BWB31C	Connecting point unit,ZB2BWB31C
107	2	153K-99D	Knob
108	2	108BK200-1	Potenriometer,adjustable BR-200KB(24D)
109	1	254A0194	Lable
111	4	200E03006	Phillips head machine screw,M3*6

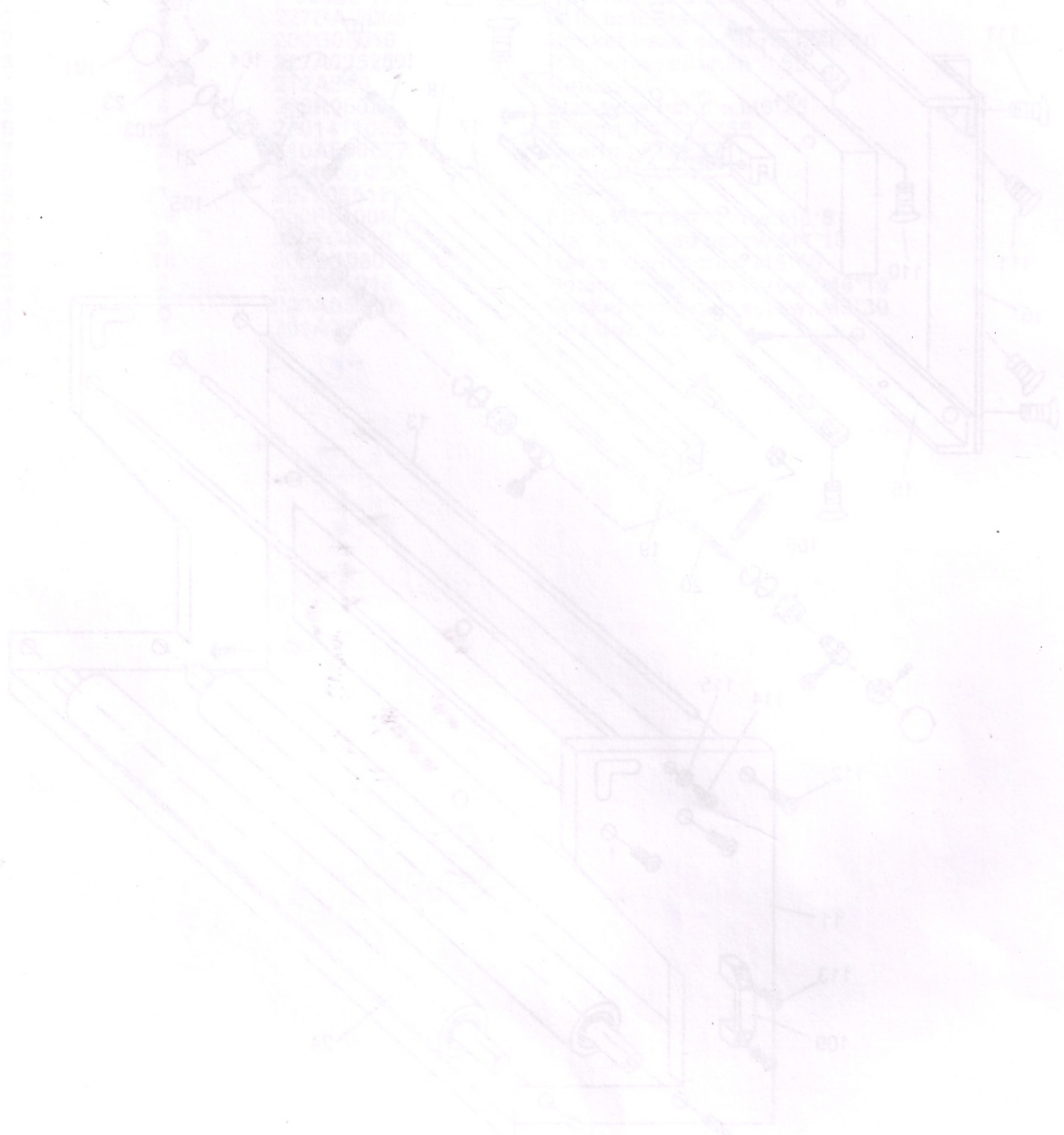
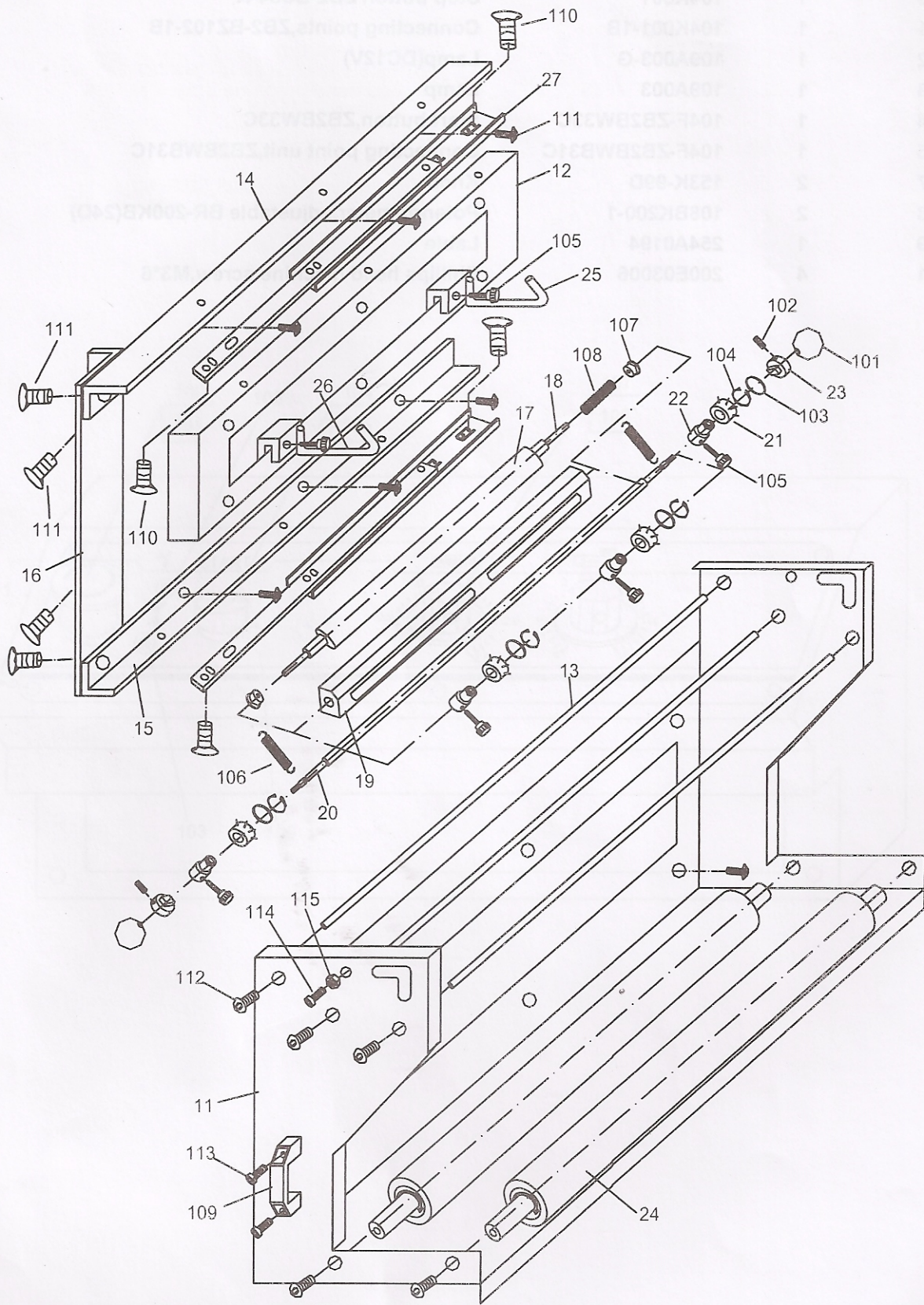


FIGURE 5-2: REEL CARRIER UNIT

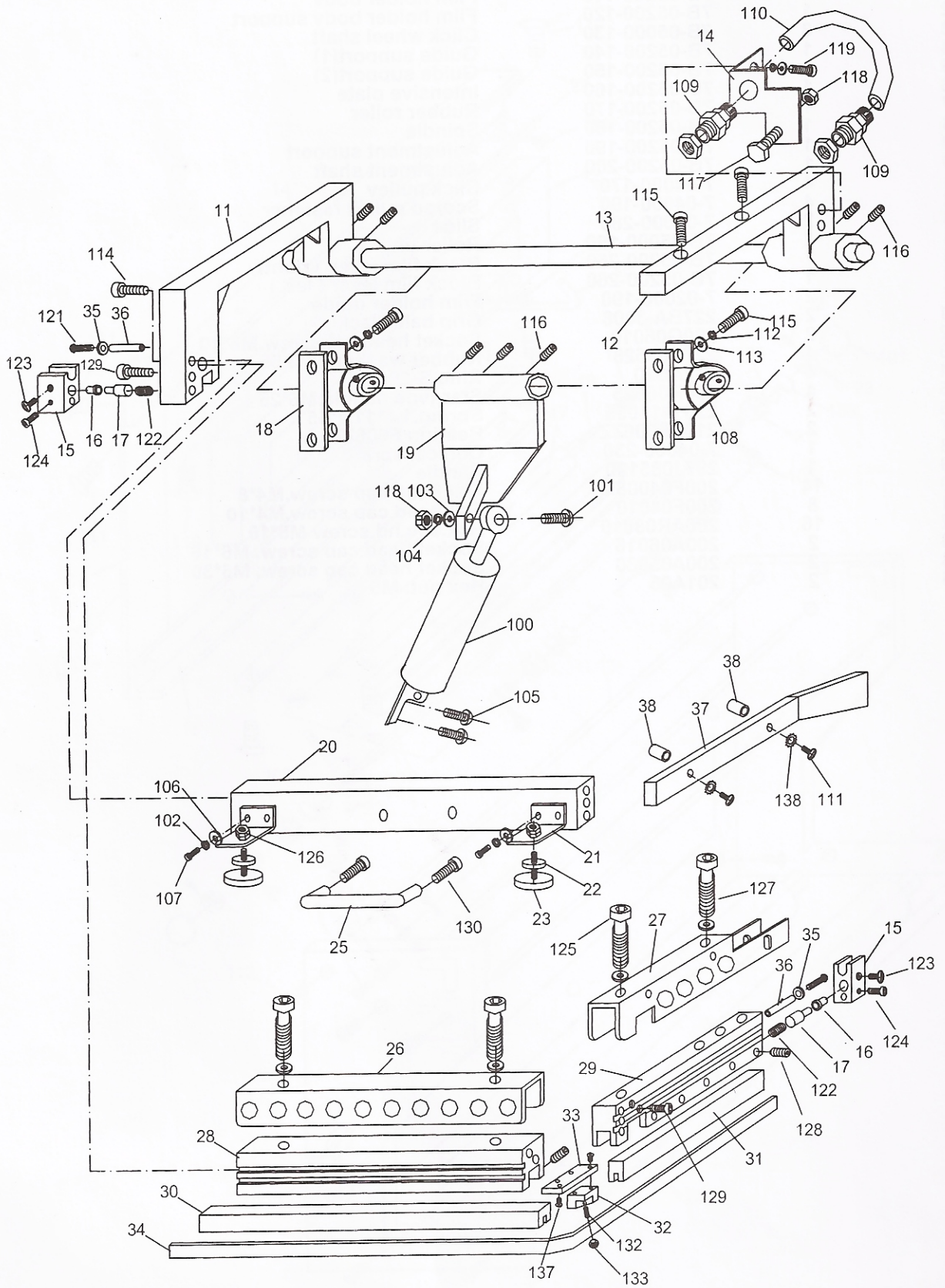


PARTS LIST, FIGURE 5-2 REEL CARRIER UNIT

LST-4055-052

KEY	Q'TY	PART NO.	DESCRIPTION
11	1	7B-05200-110	Film holder body
12	1	7B-05200-120	Film holder body support
13	3	7B-05000-130	Click wheel shaft
14	1	7B-05200-140	Guide support(1)
15	1	7B-05200-150	Guide support(2)
16	1	7B-05200-160	Intensive plate
17	1	7B-05200-170	Rubber roller
18	1	7B-05200-180	Spindle
19	1	7B-05200-190	Adjustment support
20	1	7B-05200-200	Adjustment shaft
21	4	7-04000-170	Click pulley
22	4	7-04000-190	Scored pulley fastener
23	2	7-04000-280	Slide
24	2	7B-05000-190	Roller unit
25	1	7B-05200-250	Block film lever (right)
26	1	7B-05200-260	Block film lever (left)
27	2	7-02000-190	Film holder guide
101	2	227BA-3008	Grip ball(Black)
102	2	200G06010	Socket head set screw.M6*10
103	4	227A03528	Rubber washer.28*3.55
104	4	212AS20	Ring.S-20
105	4	200R06025	Star-type handle.M6*25
106	2	2201411055	Spring.1.4*11.4*55
107	2	210AF606ZZ	Bearing F606ZZ
108	1	7-04000-230	Conical spring
109	1	297J085120	Handle
110	14	200F04008	Flat head cap screw.M4*8
111	8	200F04010	Flat head cap screw.M4*10
112	16	200AR08010	Hex.soc.hd.screw M8*10
113	2	200A06016	Socket head cap screw. M6*16
114	2	200A05030	Socket head cap screw. M5*30
115	2	201A05	Hex nut. M5

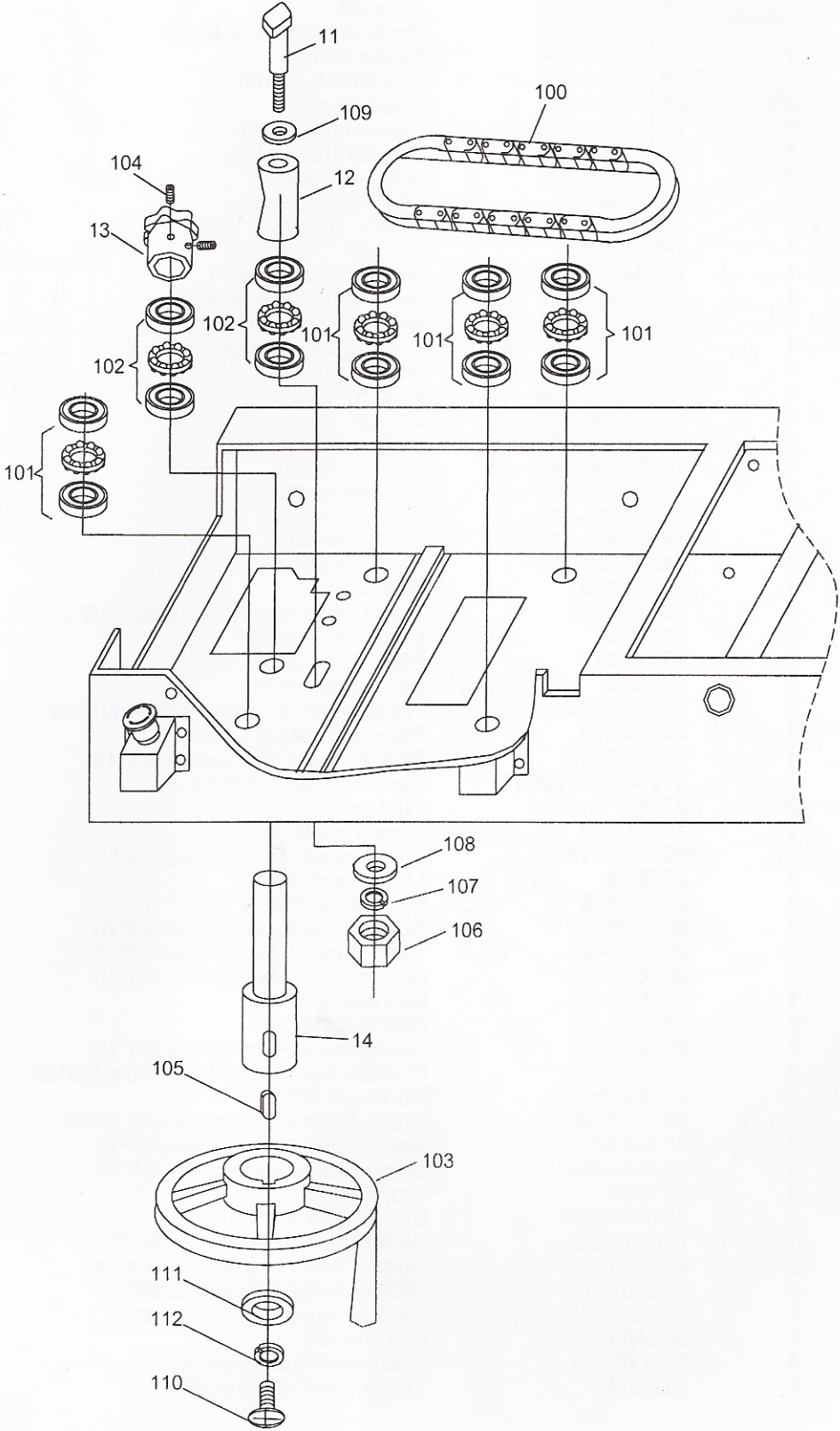
FIGURE 4-3: SEALING FRAME UNIT



PARTS LIST, FIGURE 4-3 SRALING FRAME UNIT

KEY	Q'TY	PART NO.	DESCRIPTION	LST-4055-043
11	1	7B-04300-110	Arch arm	
12	1	7B-04300-120	Arm	
13	1	7B-04000-130	Arm shaft	
14	1	7B-04000-140	Bracket	
15	2	7B-04000-150	Hrating blade clip block	
16	2	7B-04000-160	Nylon spacer	
17	2	7B-04000-170	Clip block guider	
18	2	7B-04000-180	Bearing pad	
19	1	7B-04300-190	Connecting plate	
20	1	7B-04300-200	Handle fixed plate	
21	2	7B-04300-210	Magnet support	
22	2	7-02500-261	Sponge washer	
23	2	7-02500-250	Active cupule	
25	1	7-02000-130	Handle	
26	1	7B-04000-260	Heating bar cover 1	
27	1	7B-04300-270	Heating bar cover 2	
28	1	7B-04000-280	Hrating bar seat 1	
29	1	7B-04300-290	Hrating bar seat 2	
30	1	7B-04000-300	Heating bar 1	
31	1	7B-04000-310	Heating bar 2	
32	1	7B-04000-320	Bronze joint	
33	1	7B-04000-330	Joint seat	
34	1	7B-04000-340	Heating blade	
35	2	7B-04000-350	Insulation spacer	
36	2	7B-04000-360	Insulation tube	
37	1	7B-04300-370	Cover for wire	
38	2	7B-04000-380	Cuprum spacer	
100	1	222-DC421	Gas sping	
101	1	200H06025	Truss head machine screw,M6*25	
102	4	202B05	Lock washer, M5	
103	1	202A0612	Plain washer,M6*12	
104	1	202B06	Lock washer, M6	
105	2	200H05015	Truss head machine screw,M5*15	
106	4	202A0510	Plain washer,M5*10	
107	4	200A05016	Socket head cap screw,M5*16	
108	2	210GUBPP20518	Bearing,UBBP205-18	
109	2	273N-PG16	Pipe joint	
110	1	153W-212	Ripple pipe	
111	2	200H04015	Truss hesd machine screw,M4*15	
112	4	202B08	Lock washer,M8	
113	4	202A0816	Plain washer,M8*16	
114	4	200A05020	Socket head cap screw,M5*20	
115	9	200A08020	Socket head cap screw,M8*20	
116	9	200G08016	Socket head cap screw,M8*10	
117	1	200C06012	Hex bolt,M6*12	
118	2	201A06	Hex nut,M6	
119	2	200A06012	Socket head cap screw,M6*12	
121	2	200E04050	Phillips head machine screw,M4*50	
122	2	2210975061	Spring, 0.9*7.5*61.5	
123	2	200H04008	Truss head machine screw,M4*8	
124	2	200A03012	Socket head cap screw,M3*12	
125	4	200A05030	Socket head cap screw,M5*30	
126	4	201A08	Hex nut, M8	
127	4	2210893025	Spring, 0.8*9.3*25	
128	10	200G03003	Socket head cap screw,M3*3	
129	2	200A04016	Socket head cap screw,M4*16	
130	2	200A08016	Socket head cap screw,M8*16	
132	1	200G03012	Socket head sets screw M3*12	
133	1	201A03	Hex nut,M3	
137	4	200F03008	Flat head cap screw,M3*8	
138	2	202H04	Tooth head washer,Ø4	

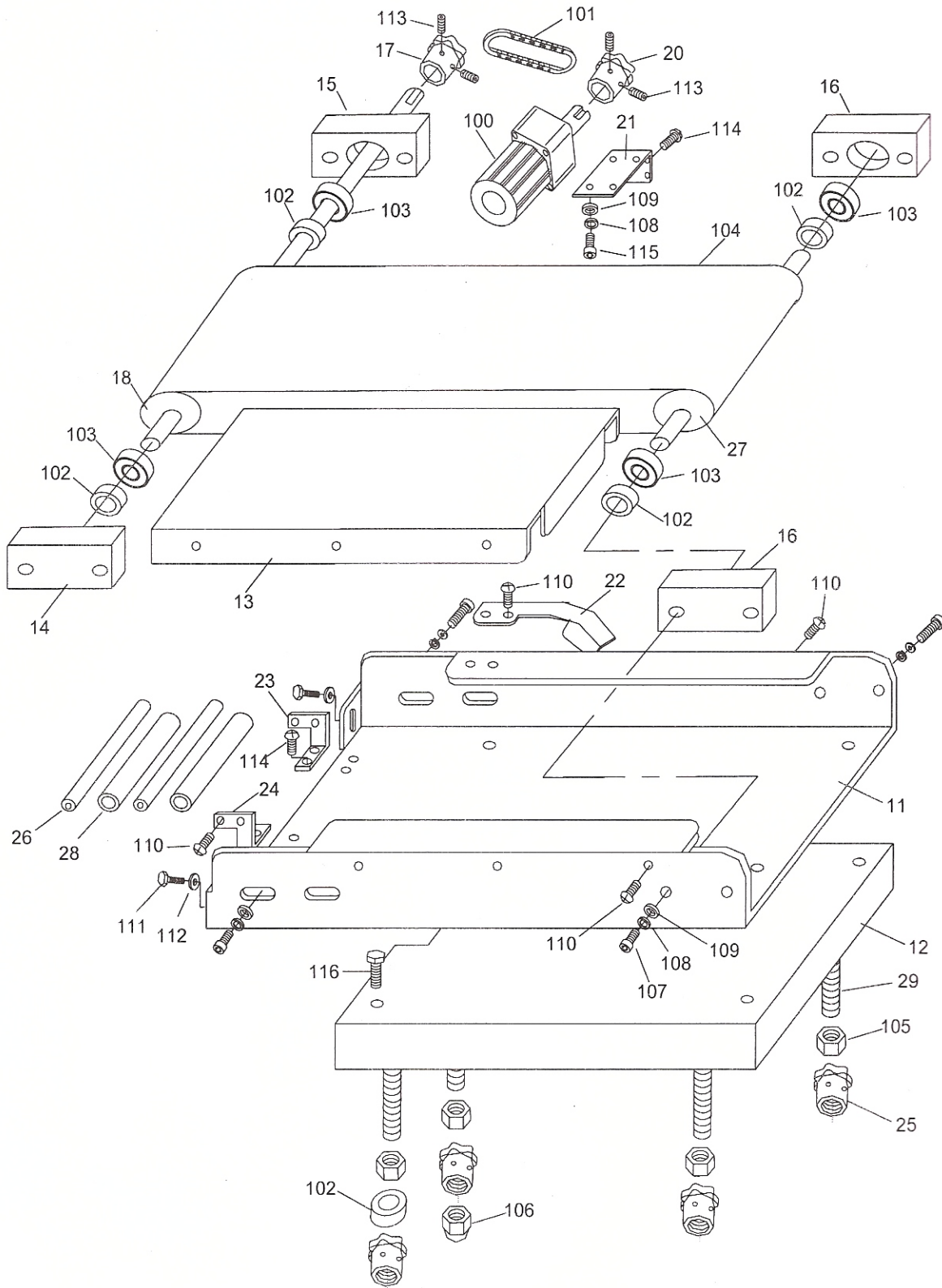
FIGURE 3: DRIVE TABLE(UP&DOWN) ADJUSTMENT UNIT



PARTS LIST, FIGURE 3 DRIVE TABLE (UP&DOWN) ADJUSTMENT UNIT

KEY	Q'TY	PART NO.	DESCRIPTION	LST-4055-030
11	1	7B-03000-110	Tensive roller shaft	
12	1	7B-03000-120	Tensive roller	
13	1	7B-03000-130	Chain wheel	
14	1	7B-03000-140	Handle wheel shaft	
100	1	215A0308-184	chain,3/8"	
101	4	210L51101	Bearing,51101	
102	2	210L51100	Bearing,51100	
103	1	297M12125B	Hand-whwwl	
104	2	200G06008	Socket head set screw, M6*8	
105	1	213A0404016	Key,4x4x16.	
106	1	201A08	Hex nut,M8	
107	1	202B08	Loxk washer,M8	
108	1	202A082230	Plain washer,M8*22*3	
109	1	202A0816	Plain washer,M8*16	
110	1	200H06012	Truss head machine screw,M6*12	
111	1	202A061620	Plain washer.M6x16	
112	1	202B06	Lock washer,M6	

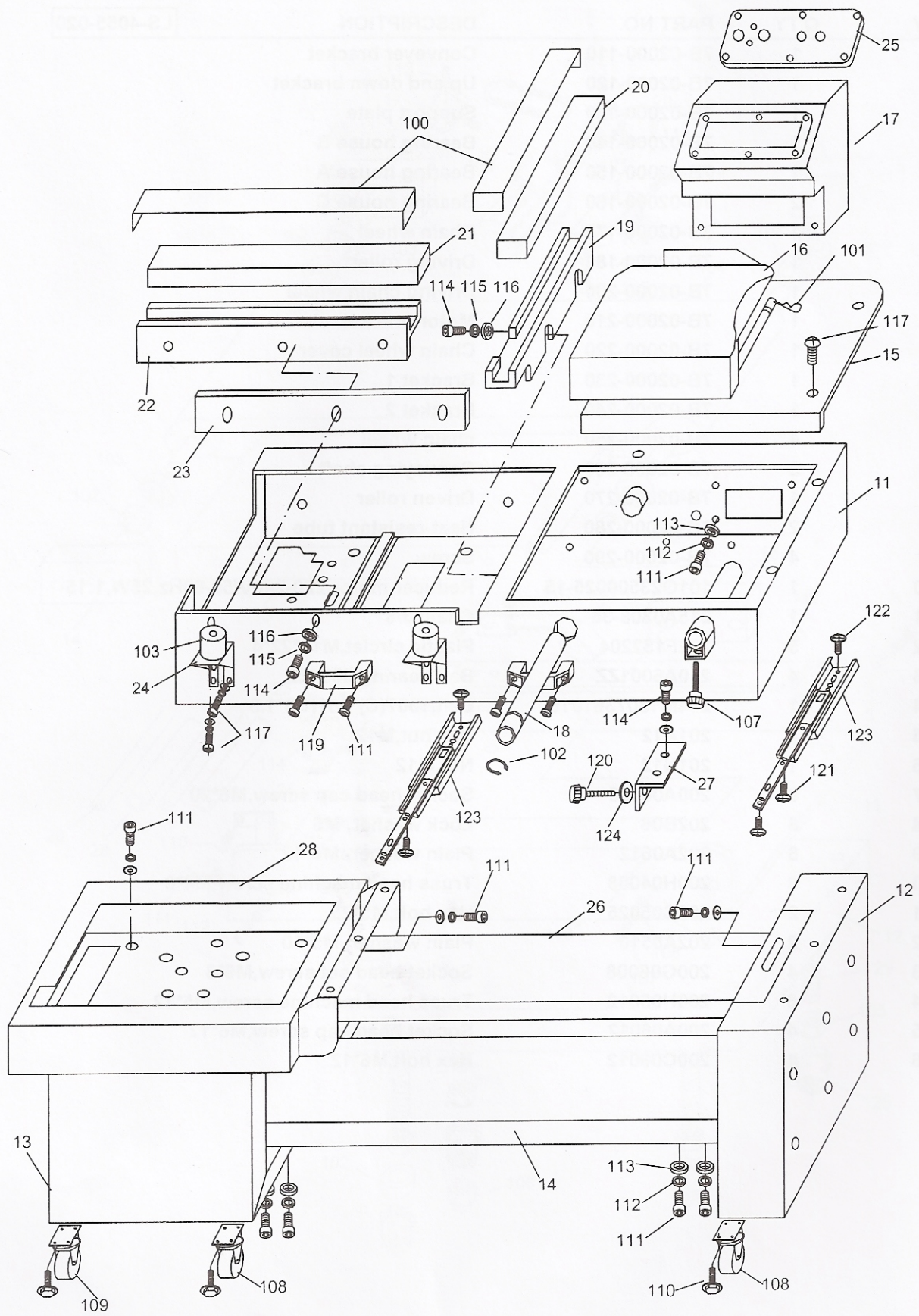
FIGURE 2-1: DRIVE TABLE UNIT



PARTS LIST, FIGURE 2 DRIVE TABLE UNIT

KEY	Q'TY	PART NO.	DESCRIPTION	LS-4055-020
11	1	7B-02000-110	Conveyer bracket	
12	1	7B-02000-120	Up and down bracket	
13	1	7B-02000-130	Support plate	
14	1	7B-02000-140	Bearing house B	
15	1	7B-02000-150	Bearing house A	
16	2	7B-02000-160	Bearing house C	
17	1	7B-02000-170	Chain wheel	
18	1	7B-02000-180	Driving roller	
20	1	7B-02000-200	Driving chain wheel	
21	1	7B-02000-210	Motor bracket	
22	1	7B-02000-220	Chain wheel cover	
23	1	7B-02000-230	Bracket 1	
24	1	7B-02000-240	Bracket 2	
25	4	7B-02000-250	chain wheel	
26	2	7B-02000-260	Conveying shaft	
27	1	7B-02000-270	Driven roller	
28	2	7B-02000-280	Heat-resistant tube	
29	4	7B-02000-290	Screw	
100	1	101G23500025-15	Reducer motor,220-240V/50-60Hz,25W,1:15	
101	1	215A0308-38	Chain,3/8"	
102	5	202F152204	Plastic circllet,M15*22*4	
103	4	210A6001ZZ	Ball bearing,6001ZZ	
104	1	214M1307361018	Belt,1307(C)*361(W)*1.8	
105	4	201A12	Hex nut,M12	
106	1	201N12	Nut,M12	
107	8	200A06020	Socket head cap screw,M6*20	
108	8	202B06	Lock washer, M6	
109	8	202A0612	Plain washer, M6*12	
110	9	200H04008	Truss head machine screw,M4*8	
111	2	200C05025	Hex bolt,M5*25	
112	2	202A0510	Plain washer, M5*10	
113	4	200G06008	Socket head set screw,M6*8	
114	6	200H05012	Truss head machine screw,M5*12	
115	4	200A06012	Socket head cap screw,M6*12	
116	4	200C06012	Hex bolt,M6*12	

FIGURE 1-3: CABINET(1) UNIT



PARTS LIST, FIGURE 1-3 CABINET(1) UNIT

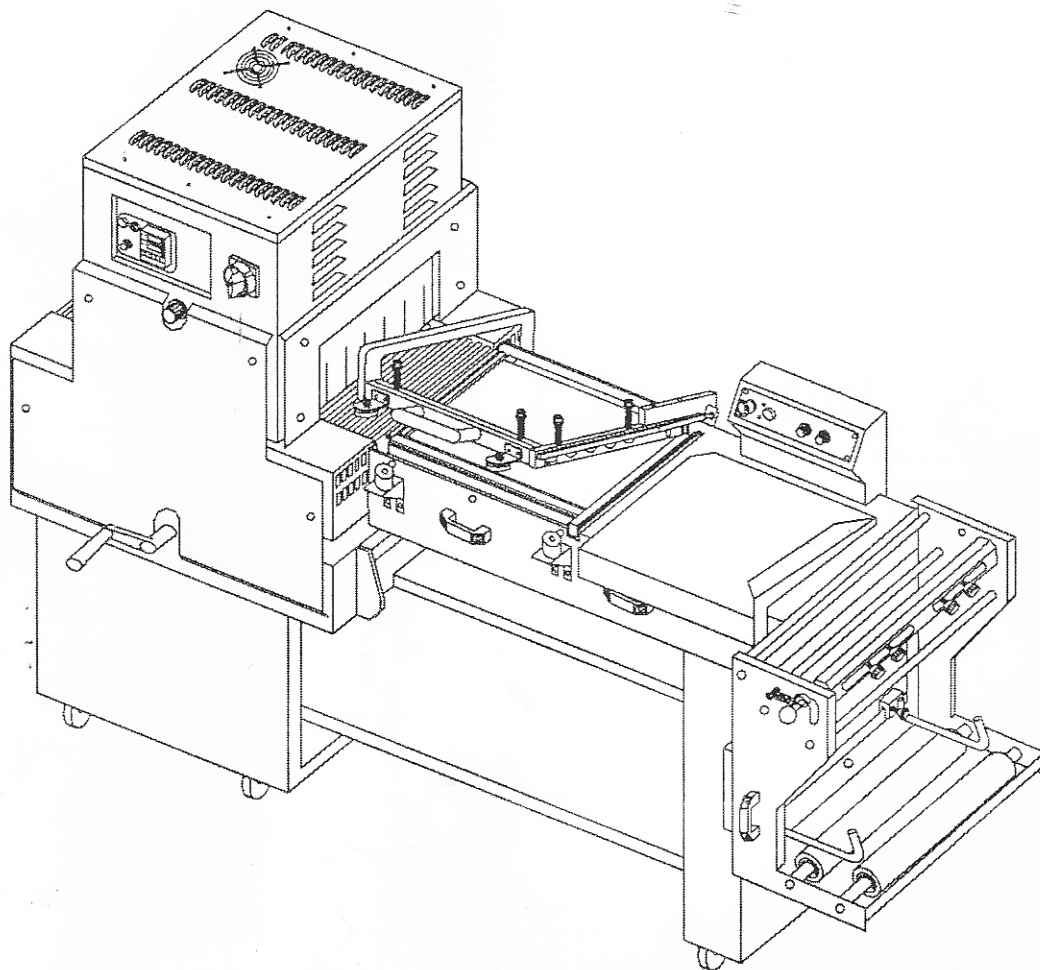
KEY	Q'TY	PART NO.	DESCRIPTION	LST-4055-013
11	1	7B-01200-110	Cabinet	
12	1	7B-01200-120	Support	
13	1	7B-01200-130	Caster fixed box	
14	1	7B-01200-140	Connect support	
15	1	7B-01000-150	Cover	
16	1	7B-01000-160	Seperator	
17	1	7B-01300-170	Electrical control box	
18	1	7B-01000-180	Seperator guide	
19	1	7B-01000-190	Silicon bar seat(1)	
20	1	7B-01000-200	Silicon bar	
21	1	7B-01000-210	Silicon bar	
22	1	7B-01000-220	Silicon bar seat(2)	
23	1	7B-01000-230	Spacer	
24	2	7B-01300-240	Magnet support	
25	1	7B-01300-250	Operation plate	
26	1	7B-01200-260	Connect support	
27	1	7B-01200-270	Connect small plate	
28	1	7B-01200-280	Supporting table	
100	1	297F0072	Teflon tape,0.18*19*2000mm	
101	1	212CR16	Snap pin R-16	
102	1	212AS20	Ring,S-20	
103	2	103T024021	Solenoid, DC24V, 21W	
107	1	200R06025	Star-type handle,M6*25	
108	4	229A075PU-BK	Wheel,swivel 75mm	
109	2	229C075PU-BK	Wheel fixed 75mm	
110	16	200M06012	Hex bolt with washer,M6*12	
111	29	200A06016	Socket head cap screw,M6*16	
112	29	202B06	Lock washer,M6	
113	29	202A0612	Plain washer,M6*12	
114	10	200A08020	Socket head cap screw,M8*20	
115	18	202B08	Lock washer,M8	
116	18	202A0816	Plain washer,M8*16	
117	3	200H06012	Truss head machine screw,M6*12	
119	2	297J085120	Handle	
120	1	200R10040030	Star-type handle,M10*40*30	
121	6	200E04008	Philips head machine screw,M4*8	
122	6	200E05008	Philips head machine screw,M5*8	
123	2	210K33012500	Slide guide 3301-2500	
124	1	202A1020	Plain washer,10*20	

TABLE OF CONTENTS

TABLE OF CONTENTS-----	1
Figure 1-3 cabiner(1) unit-----	2~3
Figure 2 drive table unit-----	4~5
Figure 3 drive table(up&down) adjdttment unit-----	6~7
Figure 4-3 sealing frame unit-----	8~9
Figure 5-2 reel carrier unit-----	10~11
Figure 6-2 panel unit-----	12~13
Figure 7 electrical components unit-----	14~15
Figure 8 cabiner(2) unit-----	16~17
Figure 9 transportation unit-----	18~19
Figure 10 hotting and blowing unit-----	20~21
Figure 11 tunnel chamber(up&down) unit-----	22~23
Figure 12 panel unit-----	24~25
Figure 13 electrical compinents unit-----	26~27
Electrical Schematic-----	28~30

SEMI-AUTOMATIC SEALER AND SHRINKING MACHINE

OPERATION MANUAL



LST—4055MT